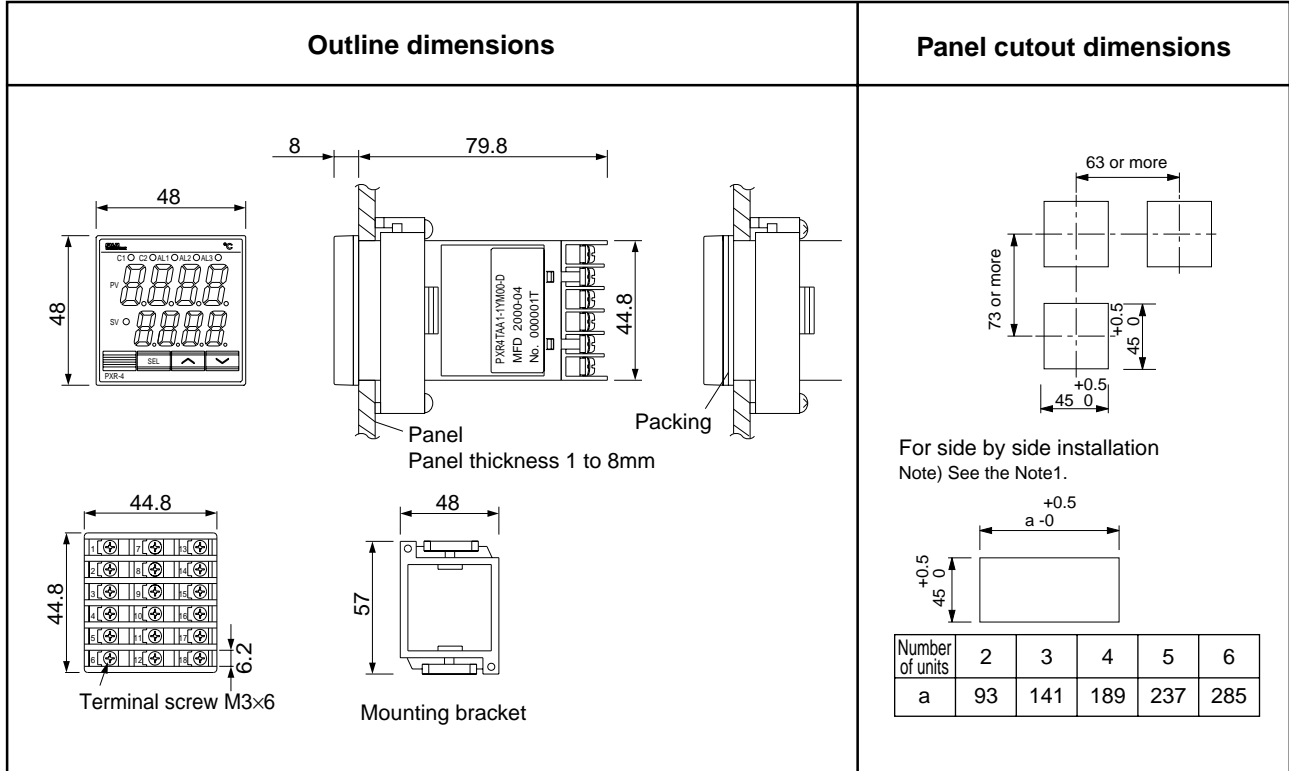


1

Installation/mounting

Outline and Panel Cutout Dimensions (Standard type/Waterproof type)

(Unit : mm)



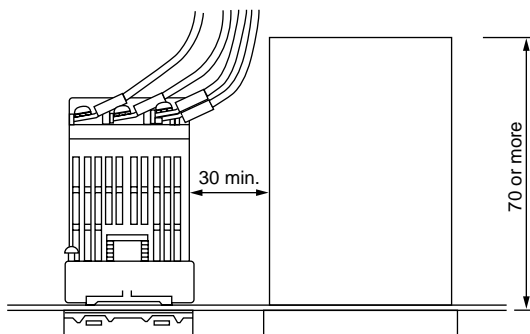
Cautions on wiring

- Wiring should be started from the left side terminal (No. 1 to No. 6).
- Use crimped terminals matched to the screw size. Tightening torque should be 0.8 Nm (Since the case is made of plastic, do not tighten excessively).
- Do not connect anything to terminals not used.

Note 1

Caution on side by side installation

- With the power supply of 200 VAC or more, a maximum ambient temperature is 45°C. (It is recommended to use a fan for cooling.)

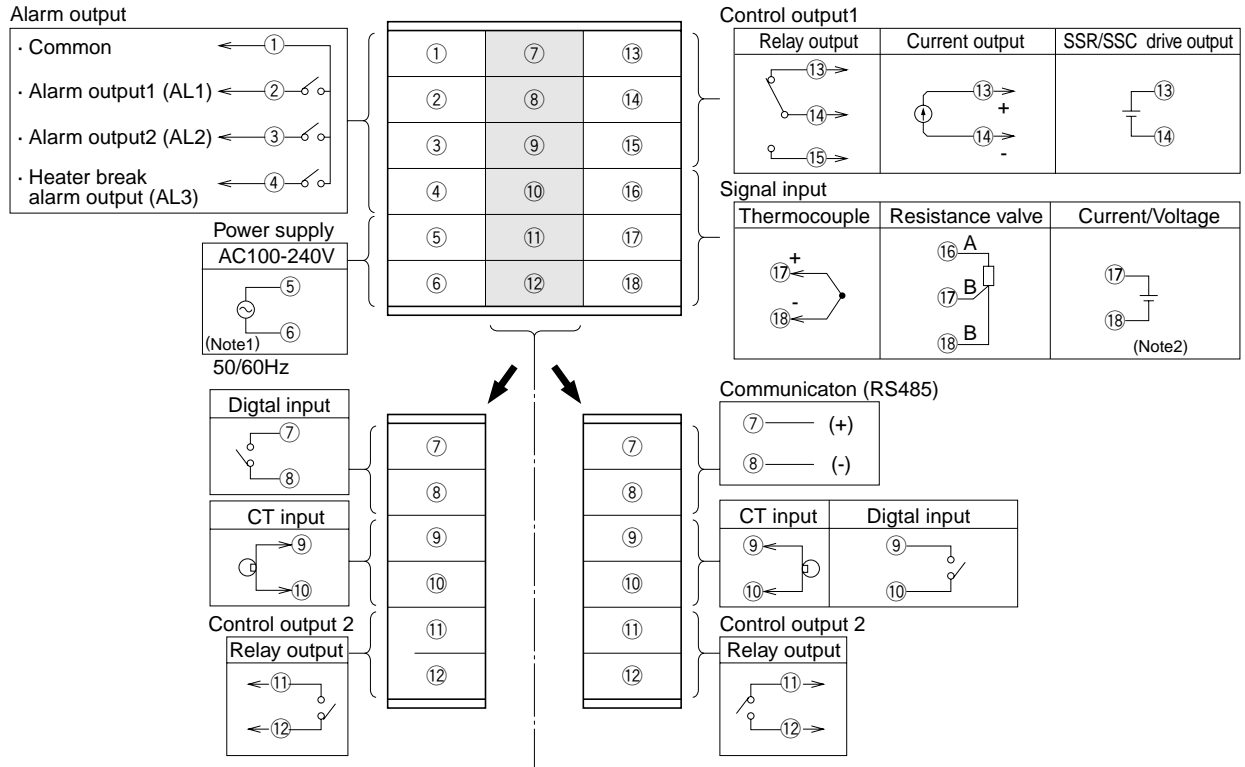


When there is another instrument (larger than 70mm) or a wall on the right side of this controller, be sure to install the controller keeping a space of more than 30mm.

2

Wiring

Terminal Connection Diagram (100 to 240 Vac)



Note1 : Check the power supply voltage before installation.

Note2 : Connect the I/V unit (250Ω resistor) (accessory) between the terminal ⑰ and ⑱ in case of current input.