

Type 4 Mild Steel Junction Box *Eclipse Junior Series*

Continuous Hinge Door with Quarter Turn



Application

- Designed to enclose electrical and/or electronic equipment and protect against harsh, industrial environments.
- For use as instrument enclosures, electric, hydraulic or pneumatic control housings, electrical junction boxes or terminal wiring enclosures.
- Impressive styling features make the Eclipse Junior a suitable addition to any high-tech equipment installation.

Standards

- UL 508 Type 3R, 4, 12 and 13
- CSA Type 3R, 4, 12 and 13
- Complies with
 - NEMA Type 3R, 4, 12 and 13
 - IEC 60529, IP66

Construction

- Body and cover are formed from 16 gauge steel.
- Smooth, continuously welded seams without knockouts, cutouts, or holes.
- Formed lip on enclosure to exclude flowing liquids and contaminants.
- 14 gauge welded brackets provide for enclosure mounting.
- Continuously hinged cover has 304 stainless steel hinges and provides 180° opening.
- Door latches feature the added safety of quarter turn slot requiring use of tool for opening.
- Quarter turn latches formed from black zinc diecast.
- Seamless poured-in place gasket.
- Models larger than 4"x4" include a removable 14 gauge galvanized inner panel.
- Internal threaded weld studs are provided for mounting inner panels.
- A bonding stud is provided on the door and a grounding stud is provided on the enclosure.
- Grounding and panel mounting hardware provided.

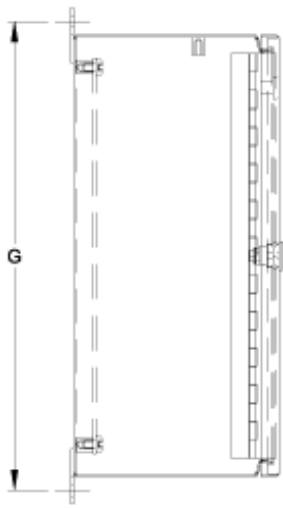
Finish

- Cover and enclosure are finished with a recoatable powder inside and out with choice of ANSI 61 smooth Gray (GY) or RAL7035 textured light gray (LG).
- Inner panels are unpainted galvanized steel.

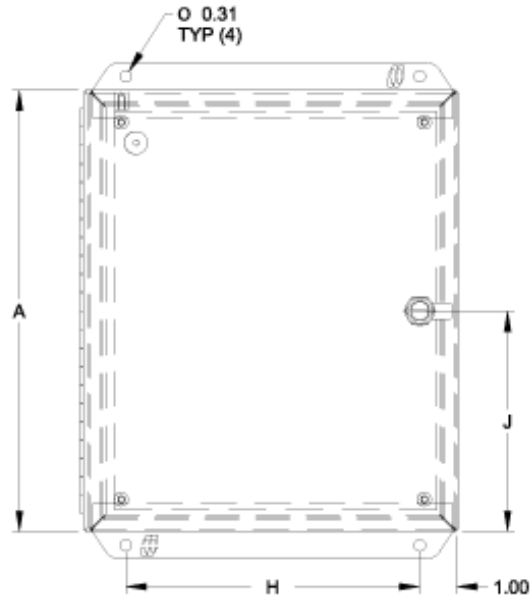
Accessories

- Inner Panels
- Ventilation
- Filtered Fans
- Type 1 Louvered Ventilating Plates

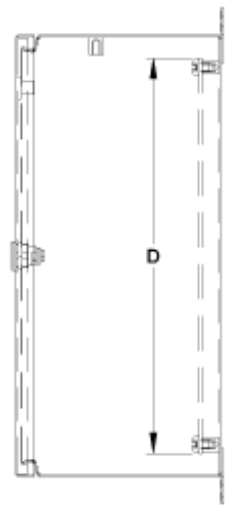
- Padlock Adaptor
- Temperature Controls
- Swing Panel Kit
- Terminal Kit Assemblies
- Wing Knob Lock



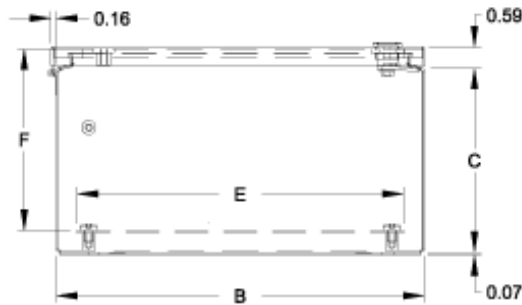
Hinge Side View



Front View



Latch Side View



End View

| Part No. (ANSI 61 Gray) | Part No. (RAL 7035 Light Gray) | Overall Dimensions | | | | | Panel Size | | | | Ship Wt. (lbs) |
|----------------------------|-----------------------------------|--------------------|-------|------|-------|-------|------------|-------|------|------|-------------------|
| | | A | B | C | H | G | D | E | J | F | |
| EJ443 | EJ443LG | 4.00 | 4.00 | 3.00 | 2.00 | 4.75 | - | - | 2.00 | - | 2 |
| EJ643 | EJ643LG | 6.00 | 4.00 | 3.00 | 2.00 | 6.75 | 4.88 | 2.88 | 3.00 | 2.92 | 2 |
| EJ683 | EJ683LG | 6.00 | 8.00 | 3.50 | 6.00 | 6.75 | 4.88 | 6.75 | 3.00 | 3.42 | 5 |
| EJ863 | EJ863LG | 8.00 | 6.00 | 3.50 | 4.00 | 8.75 | 6.75 | 4.88 | 4.00 | 3.42 | 5 |
| EJ444 | EJ444LG | 4.00 | 4.00 | 4.00 | 2.00 | 4.75 | - | - | 2.00 | - | 3 |
| EJ644 | EJ644LG | 6.00 | 4.00 | 4.00 | 2.00 | 6.75 | 4.88 | 2.88 | 3.00 | 3.92 | 3 |
| EJ664 | EJ664LG | 6.00 | 6.00 | 4.00 | 4.00 | 6.75 | 4.88 | 4.88 | 3.00 | 3.92 | 4 |
| EJ884 | EJ884LG | 8.00 | 8.00 | 4.00 | 6.00 | 8.75 | 6.75 | 6.88 | 4.00 | 3.92 | 7 |
| EJ8104 | EJ8104LG | 8.00 | 10.00 | 4.00 | 8.00 | 8.75 | 6.88 | 8.75 | 4.00 | 3.92 | 8 |
| EJ1084 | EJ1084LG | 10.00 | 8.00 | 4.00 | 6.00 | 10.75 | 8.75 | 6.88 | 5.00 | 3.92 | 8 |
| EJ1264 | EJ1264LG | 12.00 | 6.00 | 4.00 | 4.00 | 12.75 | 10.75 | 4.88 | 6.00 | 3.92 | 8 |
| EJ12124 | EJ12124LG | 12.00 | 12.00 | 4.00 | 10.00 | 12.75 | 10.75 | 10.88 | 6.00 | 5.92 | 15 |
| EJ10125 | EJ10125LG | 10.00 | 12.00 | 5.00 | 10.00 | 10.75 | 8.88 | 10.75 | 5.00 | 4.92 | 10 |
| EJ12105 | EJ12105LG | 12.00 | 10.00 | 5.00 | 8.00 | 12.75 | 10.75 | 8.88 | 6.00 | 4.92 | 12 |
| EJ866 | EJ866LG | 8.00 | 6.00 | 6.00 | 4.00 | 8.75 | 6.75 | 4.88 | 4.00 | 5.92 | 7 |
| EJ1086 | EJ1086LG | 10.00 | 8.00 | 6.00 | 6.00 | 10.75 | 8.75 | 6.88 | 5.00 | 5.92 | 10 |
| EJ10106 | EJ10106LG | 10.00 | 10.00 | 6.00 | 8.00 | 10.75 | 8.75 | 8.88 | 5.00 | 5.92 | 12 |
| EJ12126 | EJ12126LG | 12.00 | 12.00 | 6.00 | 10.00 | 12.75 | 10.75 | 10.88 | 6.00 | 5.92 | 15 |

| Part No. (ANSI 61 Gray) | Part No. (RAL 7035 Light Gray) | Overall Dimensions | | | | | Panel Size | | | | Ship Wt. (lbs) |
|----------------------------|-----------------------------------|--------------------|-------|-------|-------|-------|------------|-------|------|------|-------------------|
| | | A | B | C | H | G | D | E | J | F | |
| EJ12146 | EJ12146LG | 12.00 | 14.00 | 6.00 | 12.00 | 12.75 | 10.88 | 12.75 | 6.00 | 5.92 | 17 |
| EJ1486 | EJ1486LG | 14.00 | 8.00 | 6.00 | 6.00 | 14.75 | 12.75 | 6.88 | 7.00 | 5.92 | 10 |
| EJ14126 | EJ14126LG | 14.00 | 12.00 | 6.00 | 10.00 | 14.75 | 12.75 | 10.88 | 7.00 | 5.92 | 17 |
| EJ14166 | EJ14166LG | 14.00 | 16.00 | 6.00 | 14.00 | 14.75 | 12.88 | 14.75 | 7.00 | 5.92 | 21 |
| EJ16106 | EJ16106LG | 16.00 | 10.00 | 6.00 | 8.00 | 16.75 | 14.75 | 8.88 | 8.00 | 5.92 | 15 |
| EJ16146 | EJ16146LG | 16.00 | 14.00 | 6.00 | 12.00 | 16.75 | 14.75 | 12.88 | 8.00 | 5.92 | 21 |
| EJ12108 | EJ12108LG | 12.00 | 10.00 | 8.00 | 8.00 | 12.75 | 10.75 | 8.88 | 6.00 | 7.92 | 15 |
| EJ14128 | EJ14128LG | 14.00 | 12.00 | 8.00 | 10.00 | 14.75 | 12.75 | 10.88 | 7.00 | 7.92 | 18 |
| EJ16148 | EJ16148LG | 16.00 | 14.00 | 8.00 | 12.00 | 16.75 | 14.75 | 12.88 | 8.00 | 7.92 | 22 |
| EJ161410 | EJ161410LG | 16.00 | 14.00 | 10.00 | 12.00 | 16.75 | 14.75 | 12.88 | 8.00 | 9.92 | 23 |

Data subject to change without notice

© 2016. Hammond Manufacturing Ltd. All rights reserved.