

## Type 4X Polycarbonate Junction Box (Solid and Clear Cover) *PCJ*

Series

Metal Latch Cover



### Application

- Designed to insulate and protect controls and components in both indoor and outdoor conditions
- Ideal for industrial pump controls, waste water, irrigation control along with solar/wind and chemical plants

### Standards

- UL 508 Type 1, 2, 3, 4, 4X, 12 and 13
- CSA Type 1, 2, 3, 4, 4X, 12 and 13
- Complies with
  - NEMA Type 1, 2, 3, 4, 4X, 12 and 13
  - IEC 60529, IP66
  - Flammability V-O per UL 94
  - UV rating (f1) per UL746C - UV stabilized for outdoor use
  - Compliant with RoHS directive

### Construction

- Injection moulded polycarbonate thermoplastic enclosure with matching cover is easily punched, cut, or drilled
- Enhanced UV inhibitors protect against outdoor weathering
- Threaded brass inserts are provided for optional inner panel or terminal kit mounting. Mounting hardware is included
- Stainless steel 316 screw fasteners
- Door fasteners include a provision for padlocking on Snap Latches
- Enclosure available with clear Polycarbonate cover
- Molded hinge with 316 stainless steel pin
- Captive oil resistant gasket provides a positive seal
- Available with Polycarbonate flange or foot mount brackets for multi-directional mounting
- Operating temperatures between 130°C and - 35 °C (266°F to - 31 °F)
- Impact index of 16 J (12 ft/lb)
- For corrosion resistance information, please refer to table in the Technical Information section

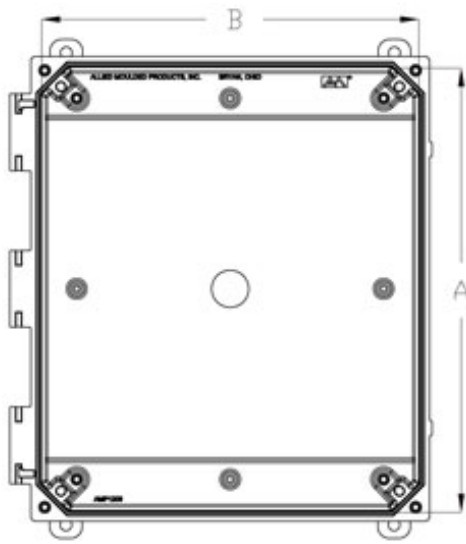
### Finish

- Polycarbonate material has a Light gray finish
- Optional inner panels are available in white powder coated finished steel or unfinished aluminum, or Fiberglass

### Accessories

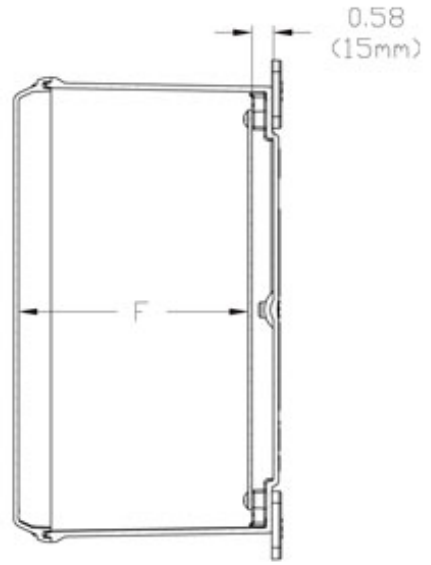
- PJ/PJU Replacement Hardware Kits
- Inner Panels

- Swing Panel

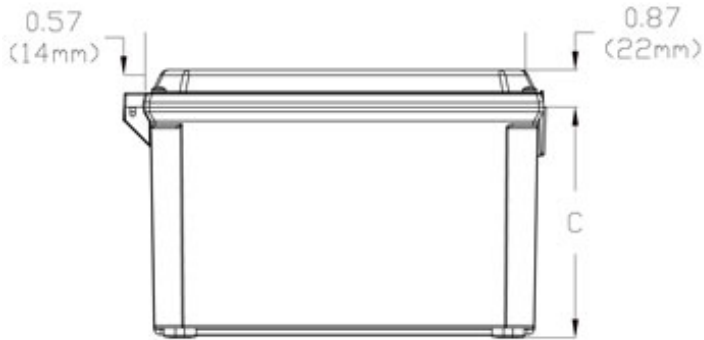


NOTE: COVER REMOVED FOR CLARITY

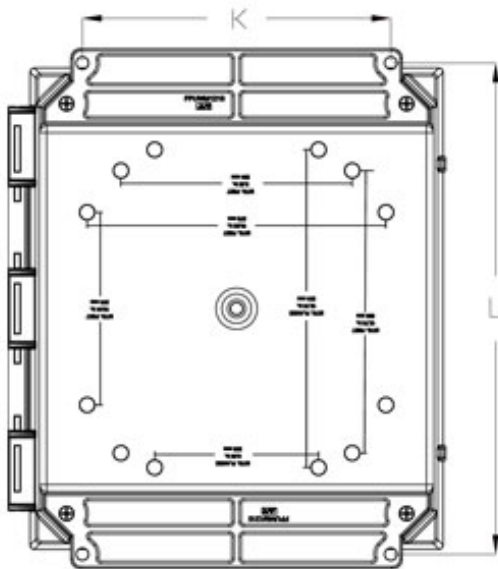
**Front View**



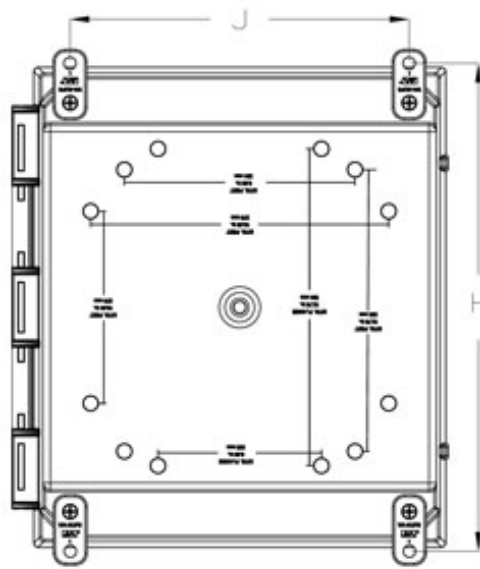
**Side View**



**End View**



**Rear View - Flanged Mount**



**Rear View - Foot Mount**

## Flanged

| Solid Cover<br>Flange<br>Part No. | Clear Cover<br>Flange<br>Part No. | Overall Dimensions |       |      | Panel Dimensions |       | Mounting Centers |               | Optional Steel<br>Inner Panel<br>Part No. |
|-----------------------------------|-----------------------------------|--------------------|-------|------|------------------|-------|------------------|---------------|---|
|                                   |                                   | A                  | B     | C    | D                | E     | K                | L (inches)    |   |
| PCJ664LF                          | PCJ664CCLF                        | 5.93               | 6.16  | 3.98 | 4.81             | 4.81  | 4.00             | 6.88 / 6.75   | PCJR0505                                  |
| PCJ864LF                          | PCJ864CCLF                        | 7.94               | 6.16  | 3.98 | 6.75             | 4.88  | 4.00             | 8.88 / 8.75   | PCJR0705                                  |
| PCJ884LF                          | PCJ884CCLF                        | 7.94               | 8.15  | 3.98 | 6.75             | 6.88  | 6.00             | 8.75          | PCJR0808                                  |
| PCJ1082LF                         | PCJ1082CCLF                       | 9.93               | 8.15  | 2.70 | 8.75             | 6.88  | 6.00             | 10.75         | PCJR0907                                  |
| PCJ1084LF                         | PCJ1084CCLF                       | 9.93               | 8.15  | 3.98 | 8.75             | 6.88  | 6.00             | 10.75         | PCJR0907                                  |
| PCJ12104LF                        | PCJ12104CCLF                      | 11.92              | 10.15 | 3.98 | 10.75            | 8.88  | 8.00             | 12.75         | PCJR1109                                  |
| PCJ12106LF                        | PCJ12106CCLF                      | 11.92              | 10.15 | 5.98 | 10.75            | 8.88  | 8.00             | 12.75         | PCJR1109                                  |
| PCJ14126LF                        | PCJ14126CCLF                      | 13.94              | 12.16 | 5.98 | 12.75            | 10.88 | 10.00            | 14.75 / 14.62 | PCJR1311                                  |
| PCJ16148LF                        | PCJ16148CCLF                      | 15.98              | 13.98 | 7.81 | 14.75            | 12.88 | 12.00            | 17.75         | 14R1513                                   |
| PCJ181610LF                       | PCJ181610CCLF                     | 18.04              | 16.04 | 9.81 | 16.88            | 14.88 | 12.00            | 19.63/19.51   | P1868                                     |

## Mounting Feet

| Solid Cover<br>Mounting Feet<br>Part No. | Clear Cover<br>Mounting Feet<br>Part No. | Overall Dimensions |       |      | Panel Dimensions |       | Mounting Centers |       | Optional Steel<br>Inner Panel<br>Part No. |
|--|--|--------------------|-------|------|------------------|-------|------------------|-------|---|
|  |  | A                  | B     | C    | D                | E     | J                | H     |   |
| PCJ664L                                  | PCJ664CCL                                | 5.93               | 6.16  | 3.98 | 4.81             | 4.81  | 4.91             | 6.75  | PCJR0505                                  |
| PCJ864L                                  | PCJ864CCL                                | 7.94               | 6.16  | 3.98 | 6.75             | 4.88  | 4.91             | 8.75  | PCJR0705                                  |
| PCJ884NL                                 | PCJ884CCNL                               | 7.94               | 8.15  | 3.98 | 6.75             | 6.88  | 6.91             | 8.75  | PCJR0808                                  |
| PCJ1082L                                 | PCJ1082CCL                               | 9.93               | 8.15  | 2.70 | 8.75             | 6.88  | 6.91             | 10.75 | PCJR0907                                  |
| PCJ1084L                                 | PCJ1084CCL                               | 9.93               | 8.15  | 3.98 | 8.75             | 6.88  | 6.91             | 10.75 | PCJR0907                                  |
| PCJ12104L                                | PCJ12104CCL                              | 11.92              | 10.15 | 3.98 | 10.75            | 8.88  | 8.82             | 12.70 | PCJR1109                                  |
| PCJ12106L                                | PCJ12106CCL                              | 11.92              | 10.15 | 5.98 | 10.75            | 8.88  | 8.82             | 12.70 | PCJR1109                                  |
| PCJ14126L                                | PCJ14126CCL                              | 13.94              | 12.16 | 5.98 | 12.75            | 10.88 | 10.82            | 14.70 | PCJR1311                                  |
| PCJ16148L                                | PCJ16148CCL                              | 15.98              | 13.98 | 7.81 | 14.75            | 12.88 | 11.47            | 17.91 | 14R1513                                   |
| PCJ181610L                               | PCJ181610CCL                             | 18.04              | 16.04 | 9.81 | 16.88            | 14.88 | 13.72            | 19.91 | P1868                                     |

*Data subject to change without notice*